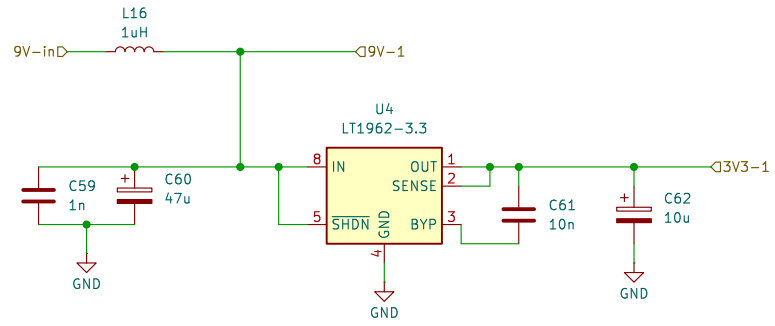


| | | | |
|-----------------------------------------|--------------------|-------------|---------|
| Sheet: / | | Date: | |
| File: halow-53mhz-converter-1.kicad_sch | | | |
| Title: | | Rev: | |
| Size: A4 | KiCad E.D.A. 9.0.8 | | Id: 1/7 |



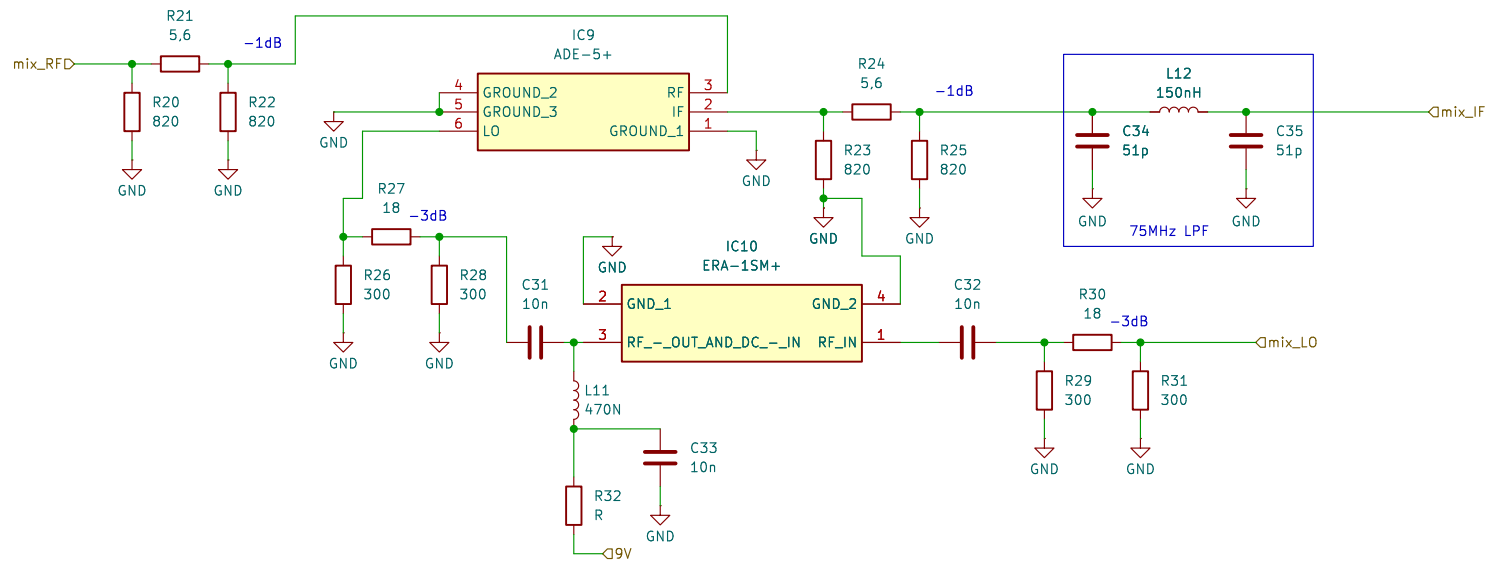
Sheet: /psu/
 File: psu.kicad_sch

Title:

Size: A4
 KiCad E.D.A. 9.0.8

Date:

Rev:
 Id: 3/7



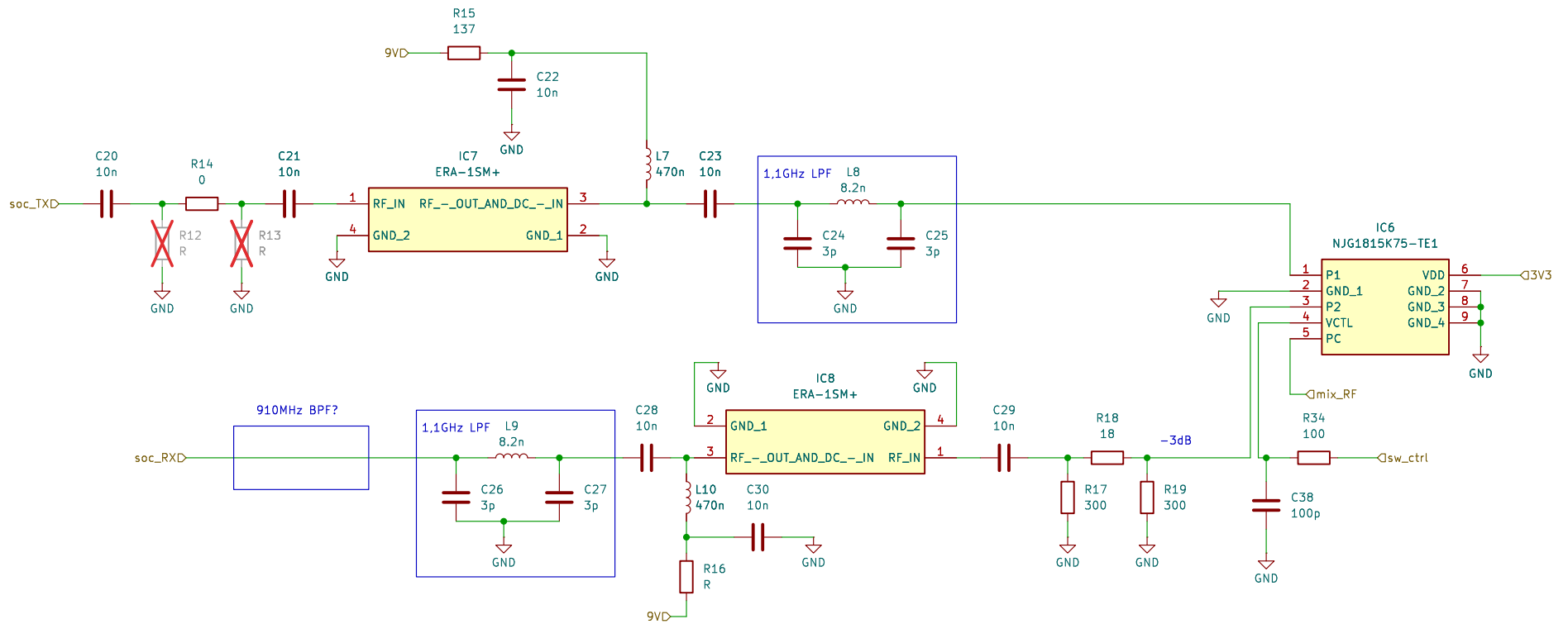
Sheet: /mixer/
 File: mixer.kicad_sch

Title:

Size: A4
 KiCad E.D.A. 9.0.8

Date:

Rev:
 Id: 4/7



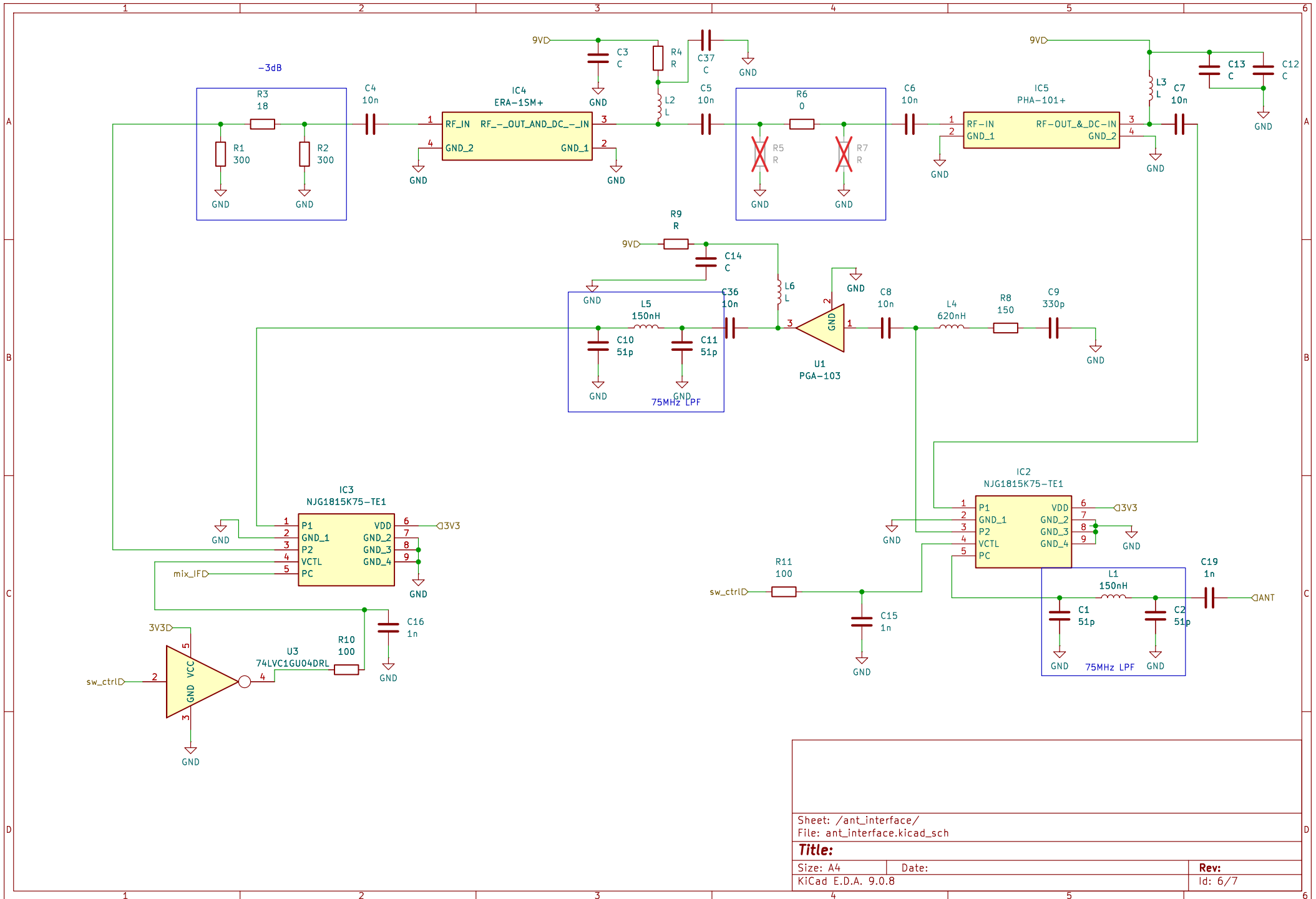
Sheet: /soc_interface/
 File: soc_interface.kicad_sch

Title:

Size: A4
 KiCad E.D.A. 9.0.8

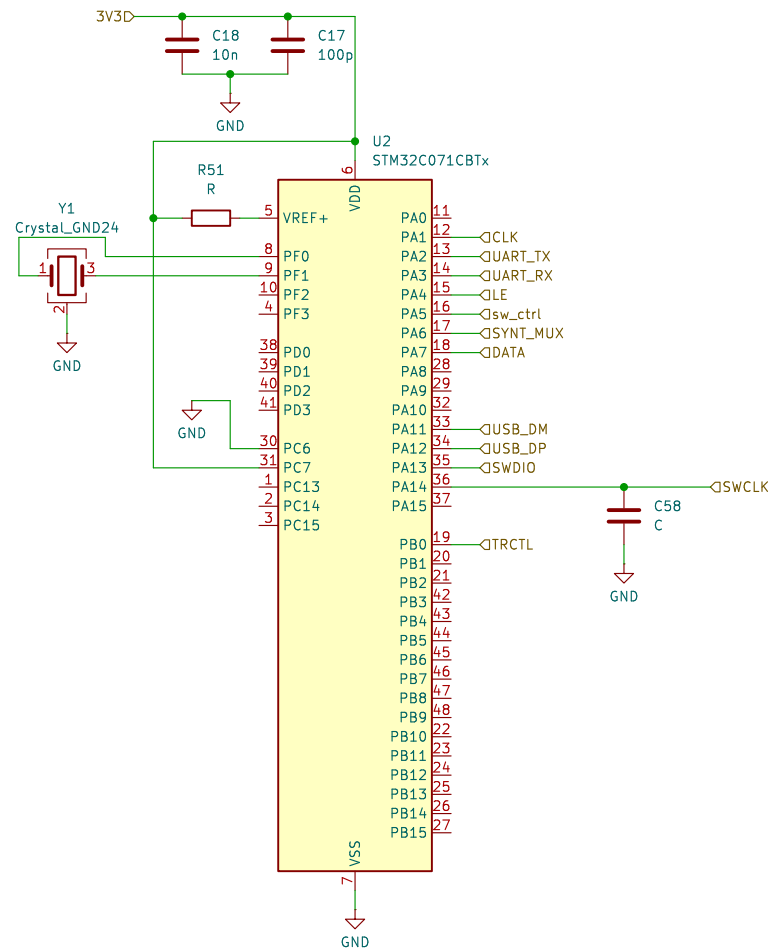
Date:

Rev:
 Id: 5/7



Sheet: /ant_interface/
 File: ant_interface.kicad_sch

| | | | |
|--------------------|-------|-------------|--|
| Title: | | Rev: | |
| Size: A4 | Date: | | |
| KiCad E.D.A. 9.0.8 | | Id: 6/7 | |



| | | |
|---------------------|-------|---------|
| Sheet: /mcu/ | | |
| File: mcu.kicad_sch | | |
| Title: | | |
| Size: A4 | Date: | Rev: |
| KiCad E.D.A. 9.0.8 | | Id: 7/7 |